

GEMINI - II A

Double Head Saw Ø 400 mm with Semi-Automatic Digital Display

PRODUCT WEB LINK

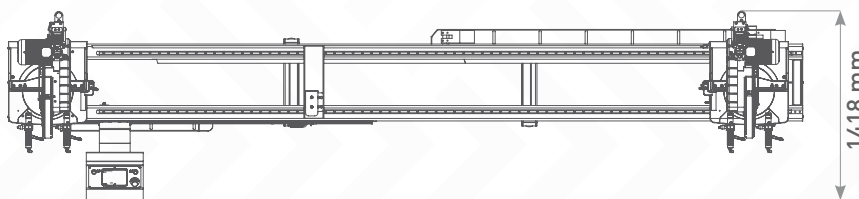
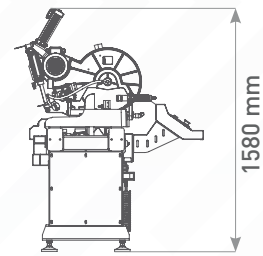
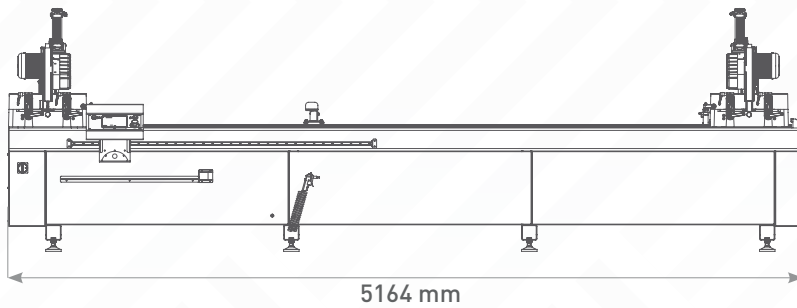
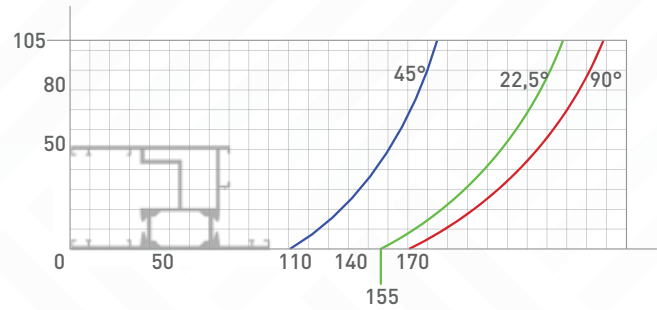
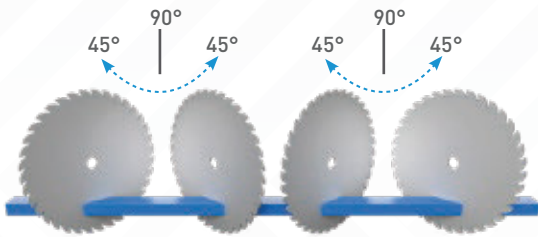


YouTube



WEB

Semi-automatic double head saw with 400 mm saw blades GEMINI – II A is ideal for cutting aluminum, PVC and wood profiles in various angles and thickness. GEMINI – II A provides rapid and automatic positioning with electro control on X axis and moving head positioning control with linear scale. It is also provides manual positioning at any angles between -45° and +45°. Safety is a topmost priority for GEMINI – II A together with the horizontal and automatic clamps along with profile support unit which improve the cutting quality.



GEMINI - II A

Double Head Saw Ø 400 mm with Semi-Automatic Digital Display

AXIS TRAVEL

Electro control X axis	•
Manual control X axis	○
Moving head positioning control with linear scale	•
Hydro-pneumatic cutting feed adjustment	•
Minimum cutting length with double head	610 mm
Maximum cutting length with double head	4550 mm
Maximum internal rotation angle	45°
Maximum external rotation angle	-45°

POSITIONING SPEED

X axis positioning speed	15 m/min
--------------------------	----------

AIR

Pressure	6-8 Bar
Consumption	50 L/min

ELECTRICAL

Maximum power	5,45 kW
Voltage	400V
Frequency	50-60 Hz

OPERATIONAL AREA

Cemented carbide saw blade	2
Saw blade diameter	400 mm
Saw blade motor power	2.2kW - 3HP
Optional length in X-axis	○
Horizontal pneumatic clamps	•
Vertical pneumatic clamps	•
Intermediate profile support (pcs)	1
Additional intermediate profile support	○
Spray saw cooling system	•
Saw blade travel speed adjustment	•

• Standard ○ Opsiyonel