

# ALCOR – II R

CNC Profile Machining and Cutting Center (8 Servo Axis and 14 Machining Axis for PVC)

Automation by  
**FANUC**



YouTube



WEB

The 8-servo axis CNC profile machining and cutting center ALCOR – II R has been developed to carry out all – in one cutting, milling drain channel opening, punching, and marking operations on PVC profiles. Thanks to its 14 standard machining and individual operating units, ALCOR – II R has been designed to offer maximum efficiency in less time.



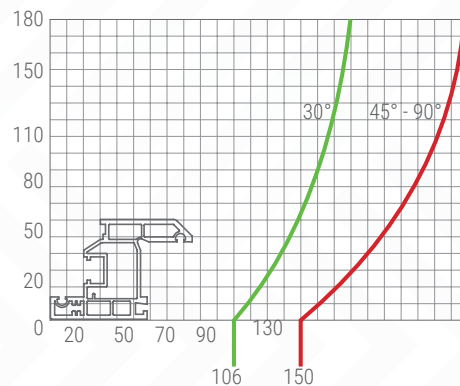
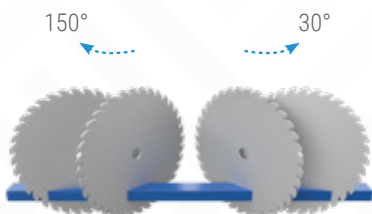
Equipped with a high performance powertrain featuring 13 standard individually cooled spindle motors, a dedicated slot opening motor, and a separate saw blade motor, the ALCOR II R delivers unparalleled multitasking capabilities, enabling simultaneous execution of 15 operations and unrestricted processing across all four profile surfaces.



Equipped with a 10-profile feed conveyor, ALCOR - II R leverages batch processing technology for enhanced operational efficiency



Unlock a vast array of cutting possibilities with the unit's 550mm diameter saw blade, capable of tackling any angle between 30° and 150°. This expansive cutting range empowers users to maximize their creative and production potential.

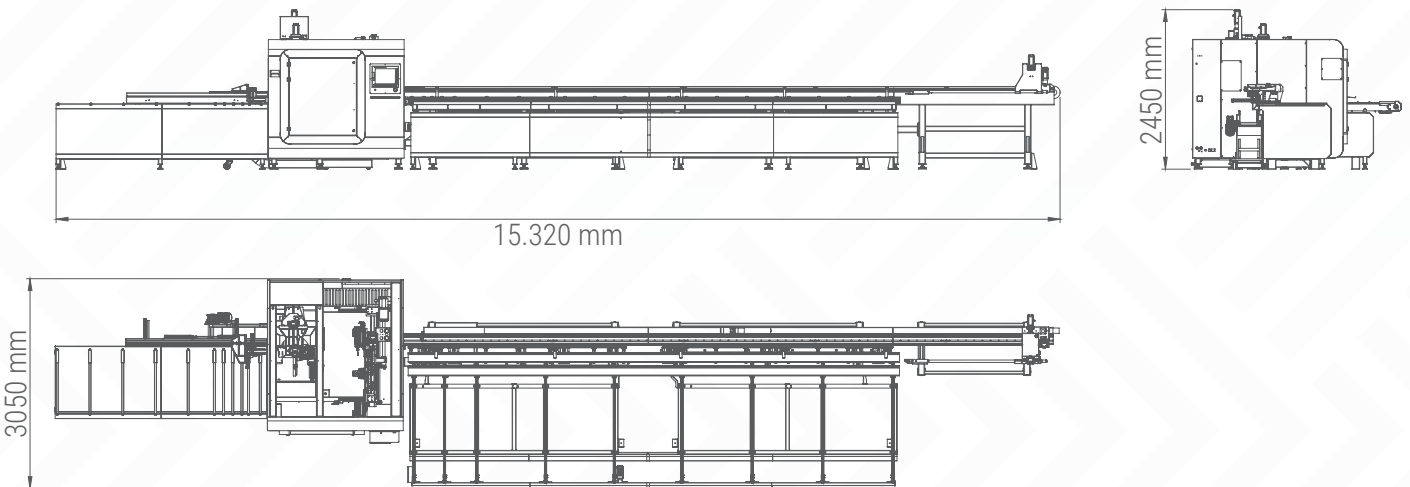
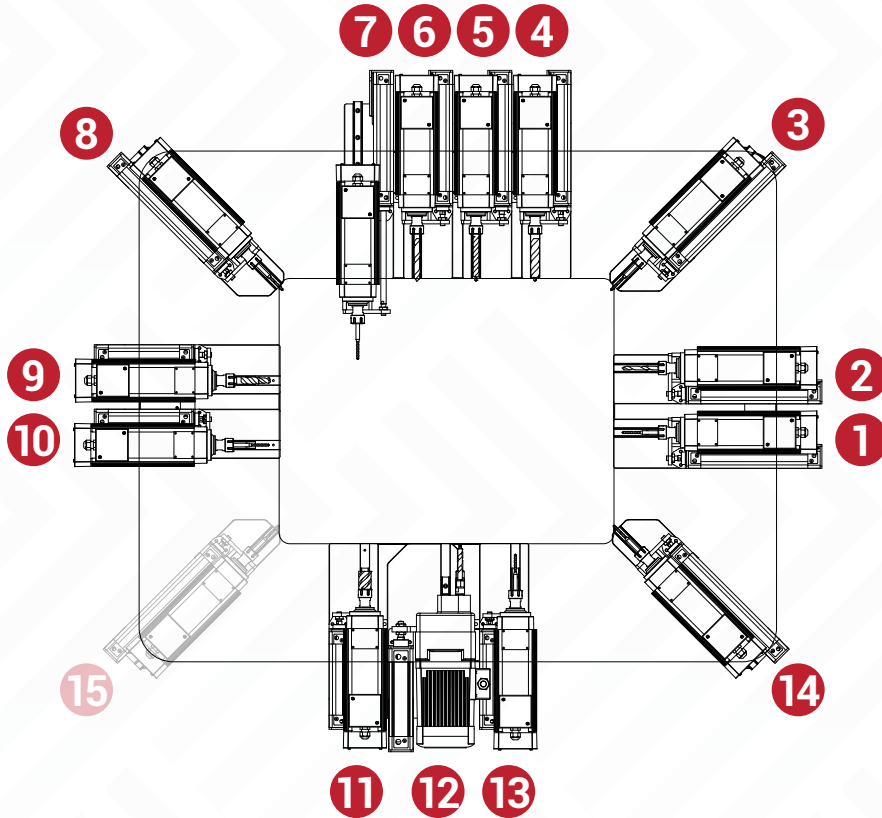


# ALCOR – II R

CNC Profile Machining and Cutting Center (8 Servo Axis and 14 Machining Axis for PVC)

## CONFIGURABLE SPINDLES

- 13 Standard air cooled high speed spindle motors.
- Standard Triple Slot Drilling motor.
- Optional 14th spindle.
- All motors configurable before shipping at the factory.



# ALCOR – II R

CNC Profile Machining and Cutting Center (8 Servo Axis and 14 Machining Axis for PVC)

## POSITIONING SPEED

X1 Axis (Longitudinal)	40 m/min
Y1 Axis (Lateral)	60 m/min
Z1 Axis (Vertical)	60 m/min
Z2 Axis (Cutting unit vertical movement)	42 m/min
C2 Axis (Cutting unit rotation)	166°/sec
XL Axis (Drive robot)	90 m/min

## AIR

Pressure	6-8 Bar
----------	---------

## ELECTRICAL

Max. Power	50.45 kW
Voltage	400V 3N PE AC
Frequency	50-60 Hz

## CUTTING UNIT

Cutting angles span	30° / 150°
Saw blade diameter	550 mm
Saw blade motor power	3kW - 4HP

## MILLING UNIT

Fan cooling spindles	13
Max. Power	1.1 kW
Maximum speed	18.000 rpm
Tool holder	ER 20
Special design motor for 3ple grip slot drilling	1
Max. Power / speed	0.75 kW / 3000 rpm
Drill diameters	10 mm / 12 mm / 10 mm
Maximum number of machining units	14

## LOADING AND UNLOADING UNIT

Minimum profile loading length	1200 mm
Maximum profile loading length	7500 mm
Minimum profil unloading length (90° - 90°)	270 mm
Profil loading capacity	10
Automatic chip discharge conveyor unit	●
Belt-Driven Profile discharge unit	○

## GRIPPER AXIS TRAVEL

YL Axis (Lateral) min. / max.	20 mm / 117 mm
ZL Axis (Vertical) min. / max.	20 mm / 115 mm

## CONTROL UNIT

Industrial PC - Touch Screen	15"
Data transfer over remote network connection, Ethernet and USB	●
Barcode writer	●
Compatibility with optimization programs	●

## OPERATIONAL AREA

Automatic lubrication in processing area	●
Cabinet providing protection in processing zone	●
FESTO pneumatic system	○
Air Tank	○
Central Automatic lubrication system	○

● Standard ○ Opsiyonal

Özçelik Makina continuously improves its products and offers new and modern solutions for PVC and Aluminum Profile Processing. Accordingly, Özçelik reserves the right to change the information in this document without notice. All dimensions and weights are reference values. Valid from January 2025