

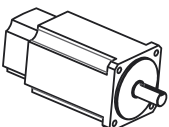
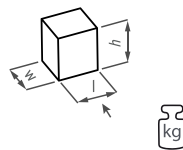
# COMET GM

Conveyor with Profile Gauge ( Servo Controlled)



With GARNET Mini, aluminum and PVC profiles can be used as a drive unit thanks to the servo-moving support system via the touch panel.

- Measurement capacity up to 3 m
- Strong and easy-to-move pulley system
- Adjustable distance pulley system

|  |               |          |          |  |
|---|---------------|----------|----------|--|
| HP  | n             | 1 ~      | I        | l x w x h<br>(mm)  |
| 1,1<br>0,8  | 3000<br>r.p.m | 50<br>60 | 4,8<br>A | 3406 x 600 x 992<br>93 kg  |