

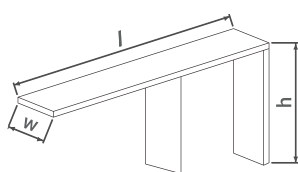
# K - 3000 / K - 6000


Conveyor



Used for conveying of aluminum, plastic and metal profiles.

- Measurement gauge and ruler
- Practical height adjustment based on machine
- Optional extension by addition of 3 m conveyor



	l	w	h		
			min	max	
K - 3000	3000 mm	300 mm	870 mm	980 mm	39 kg
K - 6000	6000 mm		870 mm	980 mm	78 kg